

Dahl Brass Radiator Valves Regular Pattern - Straight

TDS-1001
Rev Nov/11

For Forced Heating or Cooling Systems

Shown with Standard Handle

Shown with Optional Lockshield Packing Assembly Detail

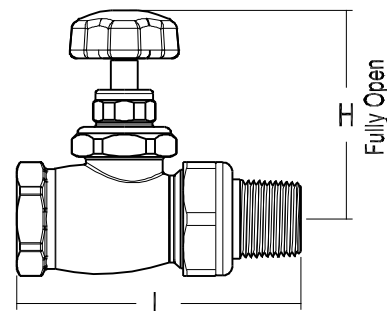
- Handle, Plastic
- Packing Nut, Brass
- Lockshield, Brass
- Belleve Washers, Stainless Steel
- Gland, Brass
- Packing, EPDM
- Spindle, Brass
- Bonnet, Brass
- Union Tailpiece, Brass
- Union Nut, Brass
- Valve Body, Cast Brass
- Screw, Stainless Steel
- Disk, Buna Nitrile

- Available with lockshield to prevent tampering
- Replaceable disc
- Self-adjusting, spring loaded packing system
- Working pressure/temperature: 200 psi / 250°F
- Low friction packing
- Designed and manufactured in Canada

Dahl tailpiece wrench must be used to install union tailpiece

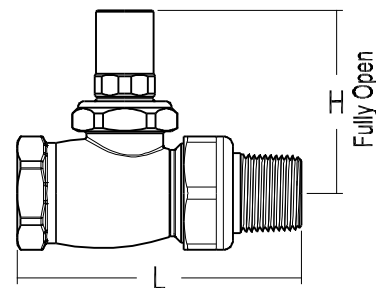
With Standard Handle

11022	Size (Inlet x Outlet)	Part Number	C _v (USGPM)	H _{Handle}	L
	1/2F x 1/2 Dual Union	110224112	2.4	2-5/8"	3-3/8"
	3/4F x 1/2 Dual Union	110226121	TBA	2-7/8"	3-3/4"
	3/4F x 3/4 M Union	110226113	4.9	3"	3-3/4"



With Tamper Resistant Lockshield

11022-LS	Size (Inlet x Outlet)	Part Number	C _v (USGPM)	H _{Lockshield}	L
	1/2F x 1/2 Dual Union	1102241122	2.4	2-1/8"	3-3/8"
	3/4F x 1/2 Dual Union	1102261212	TBA	2-3/8"	3-3/4"
	3/4F x 3/4 M Union	1102261132	4.9	2-1/2"	3-3/4"



dahl brothers canada limited

2600 S. SHERIDAN WAY, MISSISSAUGA, ON, CANADA L5J 2M4
 905-822-2330 CAN 800-268-5355 U. S. 800-268-2363
 FAX(905) 855-1450, USA AND CANADA 800-226-1801
 www.sales@dahlvalve.com www.dahlvalve.com

We reserve the right to alter prices and/or technical details without notice