



UNITED BRASS WORKS, INC.
 714 S. Main St. Randleman, N.C. 27317
 Tel: 800-334-3035 Fax: 800-498-4696 www.ubw.com



Model 3060 3/4" Float Valve

**Max Inlet Water Pressure 50PSI
 Max Operating Temperature 300° F**

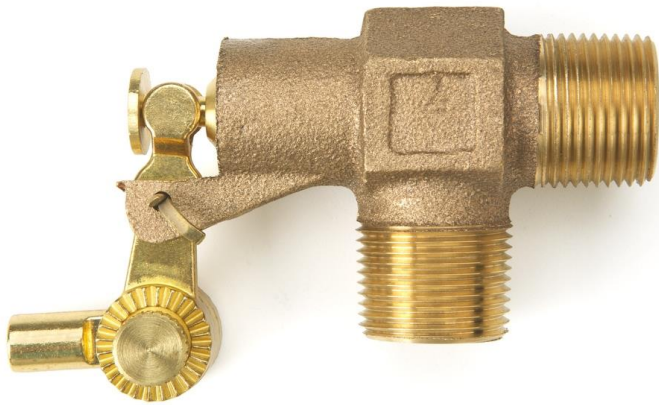
Bronze Body

Brass Piston

EPDM Disc & O-Ring

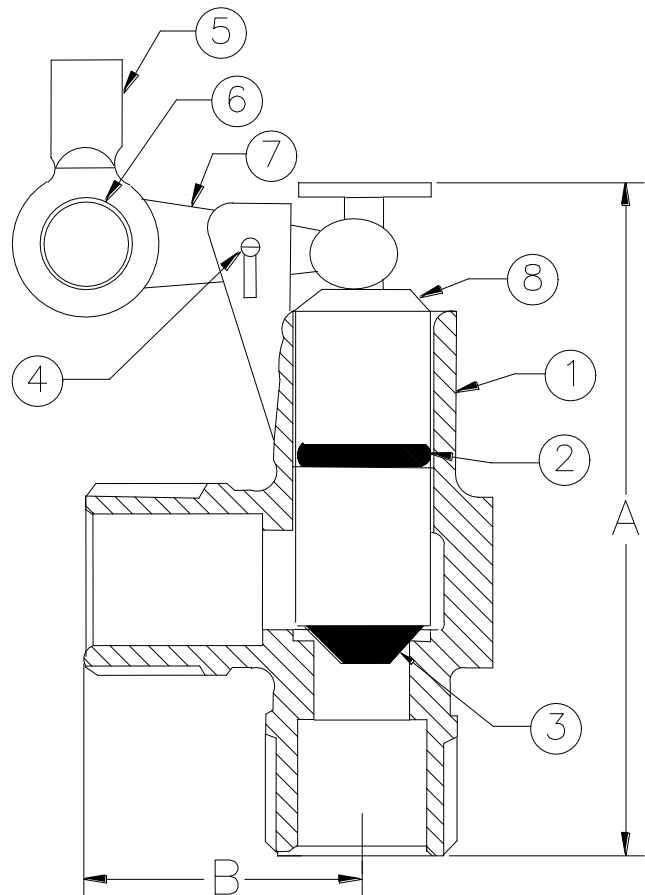
***Contains Lead. Not Intended for Use in Potable Water Systems.**

**Available Without Piston O-Ring
 As Part 3060FU**



MATERIAL LIST

NO.	DESCRIPTION	MATERIAL
1	Body	Bronze
2	O-Ring	EPDM
3	Disc	EPDM
4	Cotter Pin	Brass
5	Short Arm	Brass
6	Thumb Screw	Brass
7	Long Arm	Brass
8	Piston	Brass



Size	3/4"
A	3.68
B	1.60
Ship Wt. (lbs.)	0.94
Qty. Per Carton	12