



# UNITED BRASS WORKS, INC

714 S. Main St.. Randleman, N.C. 27317

Phone: 800/334-3035 Fax: 800/498-4696 [www.ubw.com](http://www.ubw.com)



## Model 364 Continuous Blow-Down Needle Valve

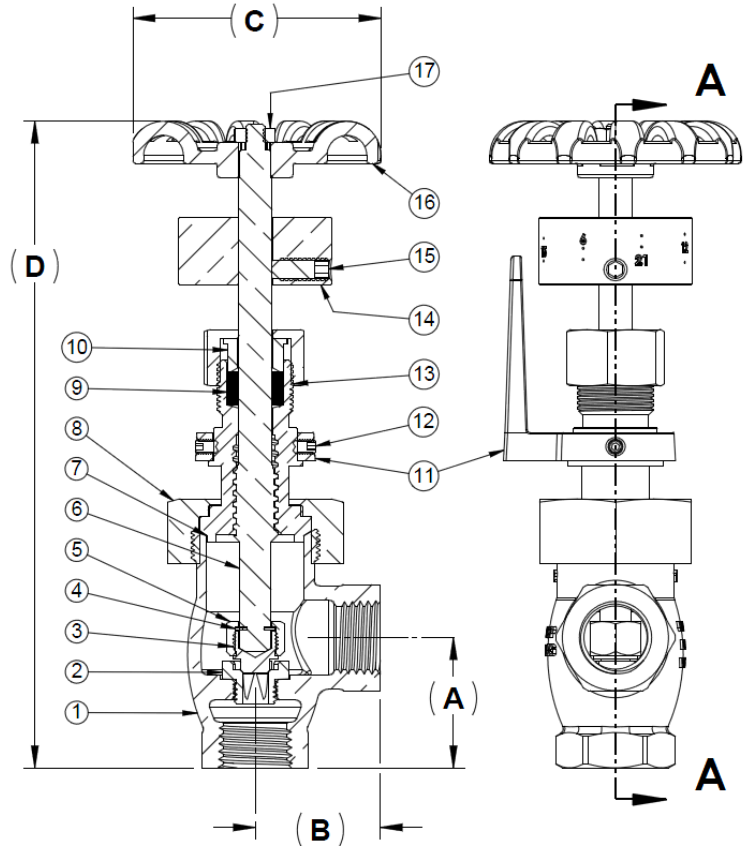
Complies with MSS-SP -80-2013



**Class 300 • 100% Pressure Tested**  
**Angle Pattern • Threaded Ends**  
**Rising Stem with Swivel Disc Holder**  
**Calibrated “Easy to Read” Gauge with Pointer**  
**Stainless Steel Seat & Disc Hardened to 60 Rockwell “C”**  
**Max Pressure 390 PSI @ 500° F • Max Pressure for Boiler**  
**Blow-Down 312 PSI**

**CRN OCO7135.2C**

MATERIAL LIST		
NO.	DESCRIPTION	MATERIAL
1	Body	Bronze
2	Seat Ring	Stainless Steel
3	Valve Meter	Stainless Steel
4	E-Clip	Stainless Steel
5	Meter Nut	Brass
6	Stem	Brass
7	Bonnet	Brass
8	Bonnet Nut	Bronze
9	Packing	NAFG
10	Packing Gland	Brass
11	Gage Collar	Brass
12	Set Screw	Stainless Steel
13	Packing Nut	Brass
14	Gage Collar	Brass
15	Set Screw	Stainless Steel
16	Hand Wheel	Ductile Iron
17	Hex Nut	Stainless



SIZE	A	B	C	D (OPEN)	D (CLOSED)	WGT.
1/2"	1.45	1.40	2.80	7.48	7.10	2.75
3/4"	1.65	1.44	2.80	7.78	8.15	3.50