



UNITED BRASS WORKS, INC.

714 S. Main St. Randleman, N.C. 27317

Tel: 800-334-3035 Fax: 800-498-4696 www.ubw.com



Model 725 Slow Opening Flanged Blow-Off Valve

Class 300 * ANSI B 16.34 * 650 psi Working Steam Pressure @ 500 F

750 psi @ 100 F * 100% Pressure Tested * Powder Coated Finish (Black)

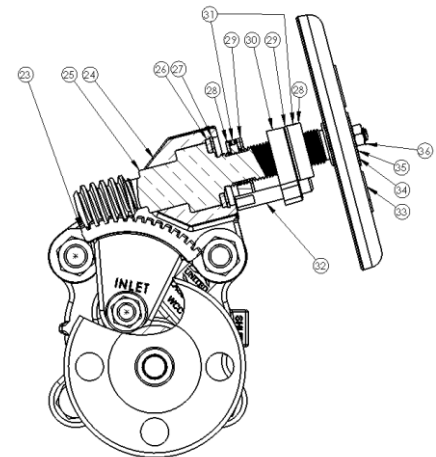
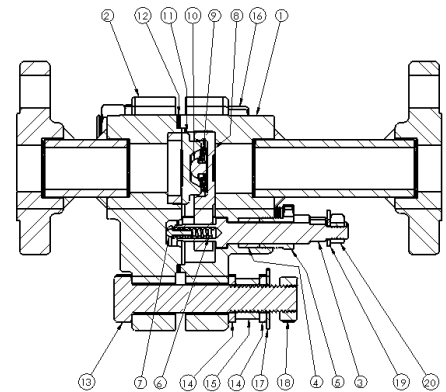
Max Pressure for Boiler Blow Off 480 PSI

CRN OCO7135.2, 24, 25, 26

CRN OEO2171.7, 79, 70, 78, 7AY, 7T, 7N

The United Brass slow opening flanged boiler blow off valve has been designed for the rugged service of boiler treatment and scale. The cast steel knife gate valve conforms to Class 300 of ANSI B16.34 and features a stainless steel seat and disc hardened to Rockwell 60. ASME Boiler and Pressure Vessel Code Section 1 PG-42.1.12 and Power Piping Code ASME B 31.1 Table 126.1 reference steel valves to ANSI B 16.34. The sliding disc provides a "cleaning" action that keeps the seating area clear of scale and debris.

MATERIAL LIST					
NO.	DESCRIPTION	MATERIAL	NO.	DESCRIPTION	MATERIAL
1	Knife Gate Cover	Carbon Steel	19	Washer	Stainless Steel
2	Knife Gate Body	Carbon Steel	20	Jam Nut	Stainless Steel
3	Knife Gate Stem	Stainless Steel	21	Name Plate	Steel
4	Knife Gate Packing	Graphite	22	Drive Screw	Stainless Steel
5	Knife Gate Packing Nut	Stainless Steel	23	Worm Gear	Bronze
6	Knife Gate Stem Spring	Stainless Steel	24	Bracket	Bronze
7	Stem Rivet	Carbon Steel	25	Worm Steam	Bronze
8	Knife Gate Arm	Carbon Steel	26	Bearing	Bronze
9	Disc Spring	Stainless Steel	27	Retaining Ring	Steel
10	Disc Rivet	Carbon Steel	28	Open/Close Collar	Bronze
11	Knife Gate Disc	Stainless Steel	29	Collar Bearing	Bronze
12	Knife Gate Gasket	Graphite	30	Open/Close Yoke	Bronze
13	Bolt	Steel Grade 8	31	Set Screw	Stainless Steel
14	Lock Washer	Steel Grade 8	32	Yoke Pin	Stainless Steel
15	Hex Nut	Steel Grade 8	33	2" Hand Wheel	Ductile Iron
16	Hex Bolt	Steel Grade 8	34	Washer	Brass
17	Washer	Stainless Steel	35	Marker Disc	Aluminum
18	Jam Nut	Steel	36	Nut	Stainless Steel



Size	1"	1 1/4"	1 1/2"	2"
A	9.70	9.70	10.90	12.60
B	4.90	5.25	6.10	6.50
C	9.45	9.45	10.06	12.0
B.C.	3.50	3.50	4.50	6.50
Bolt Holes	4	4	4	8
Unit Wgt.	27.4	27.8	44.5	65.4

