



KUNKLE MODEL 930 SAFETY VALVES

SAFETY AND RELIEF PRODUCTS

High capacity cast iron safety valve that meets ASME sections IV and XIII steam standard 'HV' and is National Board certified



FEATURES

- Extra high capacity for industrial, commercial and residential low pressure steam heating boilers.
- Cast iron body with bronze nozzle, disc and guide.
- Large seat area/guide area ratio and disc pivot design ensures optimum performance.
- Seats are lapped for optimum performance.
- Reversible lift lever for 'pull-up' or 'pull-down' manual testing.
- All adjustments factory sealed to prevent tampering or disassembly.
- Tested and inspected for pressure setting and leakage.

GENERAL APPLICATION

Model 930 is suitable for use on low pressure steam heating boilers to ASME code sections IV and XIII at 15 psig set pressure.

CALIFORNIA PROPOSITION 65 WARNING

This product can expose you to chemicals including nickel, which is known to the State of California to cause cancer, birth defects or other reproductive harm. For more information, go to www.P65Warnings.ca.gov.

TECHNICAL DATA

Sizes: 2", 2½" and 3"
Connections: Threaded NPT
Temperature: 250°F (121°C)
Pressure: 15 psig (1 barg) only
Code: ASME IV to XIII (HV Designator)



KUNKLE MODEL 930 SAFETY VALVES

SAFETY AND RELIEF PRODUCTS

PARTS AND MATERIALS

No.	Part name	Materials
1	Set screw	SS
2	Nozzle	BRZ B584-C84400 or BRS B283-C48500
3	Disc	BRZ B584-C84400
4	Body	Cast Iron, A126 class A or B1
5	Step spring	Brass B16
6	Snap ring	SS, A151
7	Wire and seal	SS wire and lead seal
8	Spring	Steel, A231 aluminum coated
9 ^[3]	Compression screw guide	BRZ B584-C84400
10	Lever	Steel
11	Lift washer	Brass, B16
12	Stem	SS, A582-303
13 ^[2]	Gag bracket	Aluminum, SB211-6061-T6/anodized
14 ^[2]	Threaded knob	Phenolic/stl, A108-1018 ZN PL
15 ^[2]	Washer	Stl, A108-1018 ZN PL
16 ^[2]	Retaining washer	Nylon

NOTES

1. Finish heat resistant gray primer paint.
2. Gag assembly ships with valve, not installed. Applies only to gag option.
3. Modified with 2 threaded holes for gag assembly. Applies only to gag option.

SPECIFICATIONS^[1]

Valve size ^[2]	Dimensions, in			Weight lb	Orifice area in ²	Capacity lb/h
	A	B	C			
2"	3 1/8	3	7 1/4	8	2.16	3164
2 1/2"	3 3/4	3 1/2	8 1/4	12	3.08	4501
3"	4 1/4	4	8 3/4	19	4.75	6949

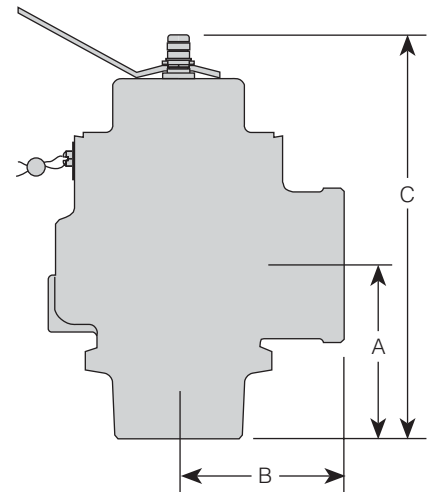
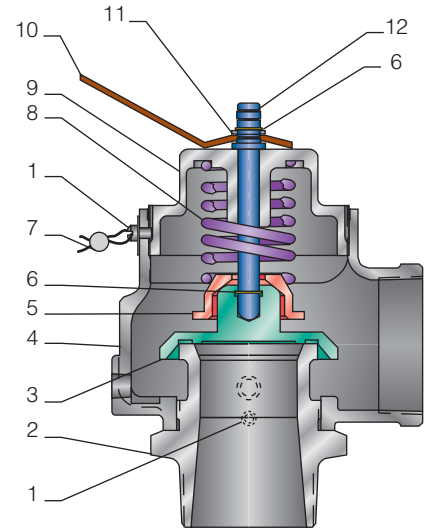
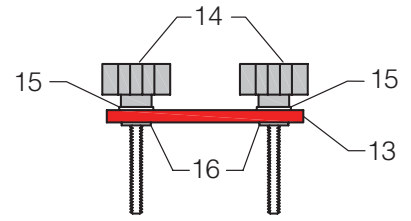
NOTES

Dimensions are for reference only.

1. ASME section IV steam (U.S., lb/h): set pressure = 15 psig, flow coefficient = 0.818
2. Inlet and outlet are the same size.

SELECTION GUIDE

Example:	0930	-	H	01	-	GC	0015
Model	0930						
Inlet size	H						
H	2"						
J	2 1/2"						
K	3"						
Variation	01						
01	Catalog standard						
02	With gag						



VCTDS-00391 © 2016, 2022 Emerson Electric Co. All rights reserved 08/22. Kunkle Valve is a mark owned by one of the companies in the Emerson Automation Solutions business unit of Emerson Electric Co. The Emerson logo is a trademark and service mark of Emerson Electric Co. All other marks are the property of their prospective owners.

The contents of this publication are presented for informational purposes only, and while every effort has been made to ensure their accuracy, they are not to be construed as warranties or guarantees, express or implied, regarding the products or services described herein or their use or applicability. All sales are governed by our terms and conditions, which are available upon request. We reserve the right to modify or improve the designs or specifications of such products at any time without notice.

Emerson Electric Co. does not assume responsibility for the selection, use or maintenance of any product. Responsibility for proper selection, use and maintenance of any Emerson Electric Co. product remains solely with the purchaser

Emerson.com