

# WCB Steel Straightway Stop Check

Model # 30SSC

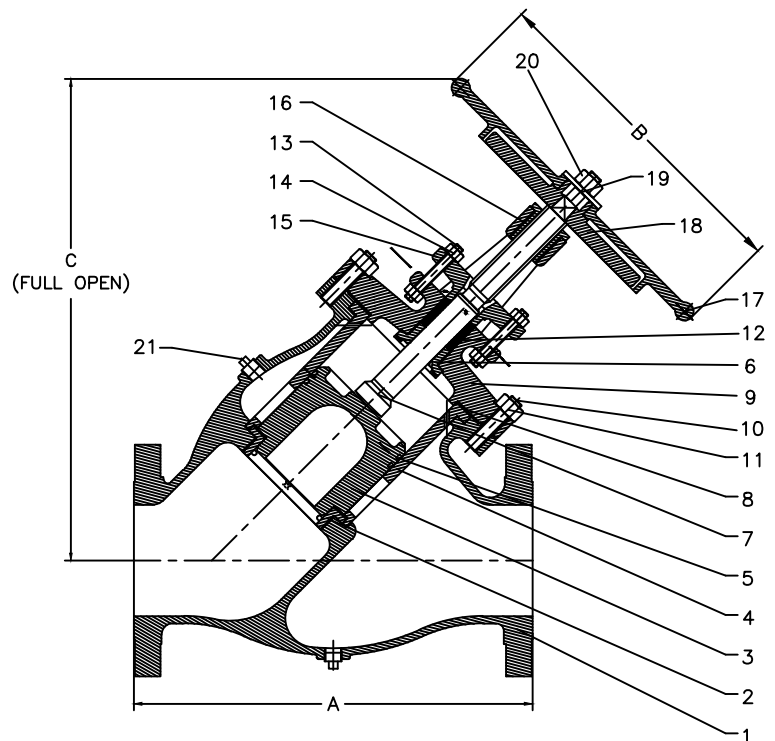
Class 300 (2-1/2" - 8")

**FEATURES:**

- These valves comply with applicable requirements of Section 1, Power Boilers, ASME Boiler and Pressure Vessel Code
- CA-15 seat and disc with stellite overlay, CA-15 stem and 304 SS disc guide for longer service life
- Hammer blow handwheel for 6" and larger valves

Designed to ANSI B16.34, API 6D, tested to API 598. Flanges to ANSI B16.5

NO.	PART NAME	MATERIAL
1	BODY	A 216-WCB
2	SEAT	CA-15+ST6
3	DISC	CA-15+ST6
4	DISC GUIDE	A 351-CF8
5	PISTON RING	SPRING STEEL
6	BACK SEAT BUSH	A 276-304
7	STEM	A 479-410-1
8	BODY GASKET	SS 316+GRAPHITE
9	BONNET	A 216-WCB
10	STUD	A 193-B7
11	HEAVY HEX NUT	A 194-2H
12	GLAND PACKING	GRAPHITE WITH INCONEL
13	STUD	A 193-B7
14	HEAVY HEX NUT	A 194-2H
15	GLAND FLANGE	A 216-WCB
16	STEM BUSHING	AL BRONZE (B 148-Gr D)
17	HANDWHEEL	A 216-WCB
18	HAMMER	A 216-WCB
19	WASHER	A 276-304
20	NYLOCK NUT	A 276-304
21	NPT PLUG	A 276-304



SIZE	INCH	2-1/2	3	4	5	6	8
	MM	65	80	100	125	150	200
A	INCH	13	14.75	17	19	21.5	26
	MM	330	375	432	483	546	660
B	INCH	9	10	14	14	18	20
	MM	229	254	356	356	458	508
C	INCH	18	18	22.5	28.125	28.125	32
	MM	457	457	572	715	715	813
Wgt	Lbs	130	140	210	407	465	660

