

General

Provide MYSON EMR-750 CONTEMPORARY DESIGNER electric towel warmer including accessories as scheduled. Contemporary Designer towel warmers are made of brass tube and fittings in a variety of finishes. The EMR-750 electric towel warmer is ETL approved.

Each EMR-750 towel warmer is constructed with an 1-1/4" square frame and 1" diameter round horizontal bars. Integral wall mounting lugs are welded onto the back and an adjustable four point mounting kit in a matching finish is included. The towel warmers are equipped with an ISO 9001 certified PTC smart thermo control element and a back lit on/off rocker switch (Figure 1). Each unit is filled to a precise level with a glycol based heat transfer fluid for optimum convective flow, providing a constant surface temperature. Every unit is factory tested to insure the finest quality product with design temperature output.

Standard Connection:
single gang box

Electrical Specifications:
120 Vac 60 Hz 190 Watts (plated finish) 225 Watts (painted finish)

Weight:
39 lbs.

Available Finishes:

Polished Chrome, Polished Nickel, Satin Nickel, Regal Brass, Oil-Rubbed Bronze, White

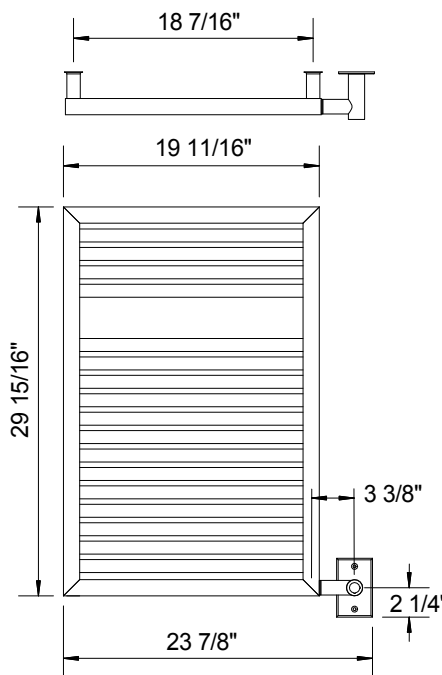
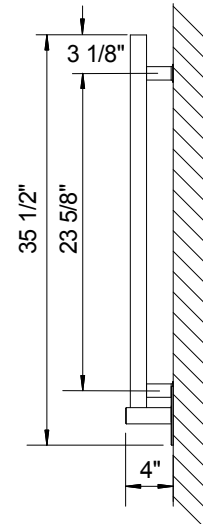


Figure 1



An optional **ST01C** programmable timer is recommended and available from **MYSON**.



Warranty:
MYSON European Tradition Towel Warmers are covered by a 10 year warranty.

Quality certificates



PROJECT NAME:
ARCHITECT:
ENGINEER:
SUBMITTED DATE:

APPROVED DATE:

APPROVED