

READ THIS INSTRUCTION MANUAL THOROUGHLY BEFORE BEGINNING INSTALLATION.

- Install in accordance with all local, state and national plumbing and building codes.
- Installation should be done by a qualified, licensed professional plumber/contractor.
- Do not stand, hang, or sit on the towel warmer.
- Entering water temperature should be between 125⁰ F and 155⁰ F for adequate operation.
- The towel warmer will be hot. To avoid injury, please exercise caution when in use.

PRODUCT APPLICATION

- Myson hydronic version towel warmers may only be used in properly designed and maintained closed loop heating systems and must not be installed in open loop (domestic/potable) systems. Open loop systems contain oxygen rich water and other chemical compounds which can cause dezincification and other forms of corrosion, leading to premature failure. Installation in open loop systems will void the applicable Myson Warranty.

PREPARATION

- Carefully unpack the Myson towel warmer and handle with care to avoid accidental damage.
- Inspect the towel warmer for any concealed damage and report any damage to the dealer immediately.
- Mounting hardware and an air vent key are included with the towel warmer. Make sure they are not accidentally discarded. Valves and Sleeve Kit are packaged separately.
- Choose the mounting location of the towel warmer and determine the piping method best suitable for your specific installation. See page 7 for sample piping diagrams and related information.
- All Myson hydronic towel warmers use ½” copper compression fit valves. See pages 3 - 5 for rough-in dimensions. Be sure to leave an approximate 6” copper stub out for proper seating of the compression fit valve. Failure to properly seat copper in the valve may result in a leak at the compression fitting. See page 6 for valve installation details.

MOUNTING

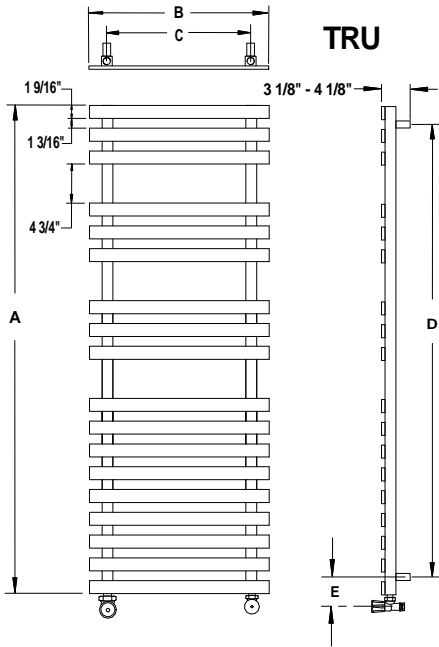
- Myson towel warmers must be mounted securely to the wall/floor. It is preferable to attach the towel warmer to adequate blocking or framing.
- For mounting directly to sheetrock, where blocking or framing is not available, it is the responsibility of the installer to use the appropriate wall anchors to ensure a safe and secure installation.
- Mounting rough-in dimensions are located on pages 3 – 5. See page 5 for detailed mounting instructions for specific models.
- Valve and Sleeve Kit installation details are located on page 6.
- Modern style valve sets contain one working and one non-working (locked open) valve. The flow of water through the towel warmer is controlled by the working valve which can be installed on either the supply or return side.
- Optional cross handle valves MUST be in the fully open or fully closed position. Using a cross handle to adjust water flow will result in a leak at the valve stem.
- Over tightening of the valve spud or compression nut may result in leaks. **DO NOT OVER TIGHTEN.**
- Use caution when handling and tightening towel warmer/valve components to avoid damage to the finish.
- An air bleeder vent is located at the top right side of the towel warmer. It may be necessary to purge air from the towel warmer upon initial start up.

CARE AND USE

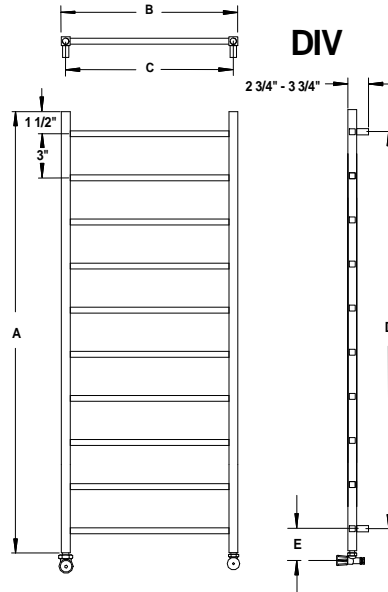
- Myson towel warmers may be left on continuously year round without damage to the towel warmer.
- Recommended operating water temperatures are 125⁰ F to 155⁰ F.
- Myson towel warmers can be cleaned using a damp cloth. A mild non-abrasive, non-corrosive, non-chlorine based cleaner may be used periodically. Myson recommends Flitz Chrome Cleaner for the removal of stubborn water spots and to restore the finish to its original luster.
- Allow the towel warmer to cool before cleaning. Never apply a cleaning agent to a hot towel warmer as this may cause discoloration/damage to the finish.
- Towels containing soap, fabric softener, or bath oil residue may become discolored. This is not scorching but simply the discoloration of the residue. In most cases this discoloration will be removed when laundered.

NOTES:

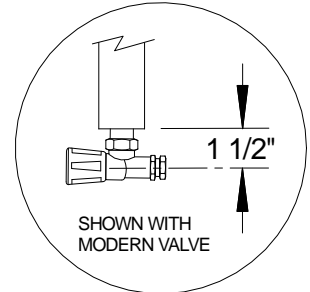
1. All dimensions are nominal
2. For more detailed individual specifications visit www.mysoncomfort.com



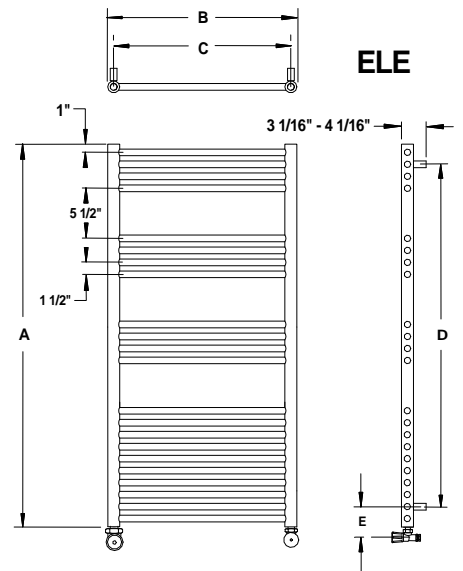
MODEL	Dim "A"	Dim "B"	Dim "C"	Dim "D"	# of BARS	Dim "E"
TRU1	29 1/2"	19 11/16"	15 3/4"	25 1/8"	9	3 11/16"
TRU2	39 3/8"	19 11/16"	15 3/4"	35"	12	3 11/16"
TRU3	47 1/4"	19 11/16"	15 3/4"	42 15/16"	15	3 11/16"
TRU4	59 1/16"	19 11/16"	15 3/4"	54 3/4"	18	3 11/16"



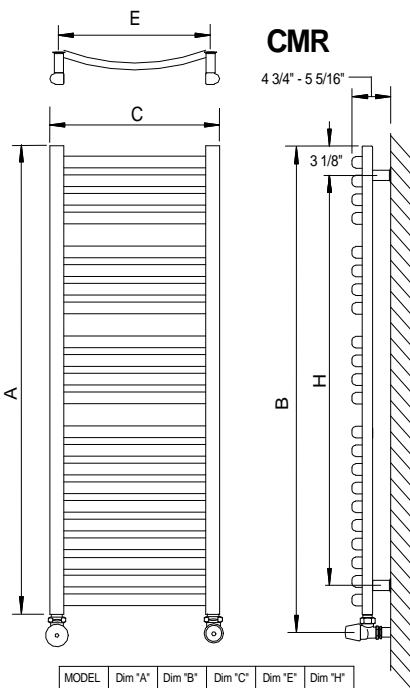
MODEL	Dim "A"	Dim "B"	Dim "C"	Dim "D"	# of BARS	Dim "E"
DIV1	31 1/2"	19 5/8"	18 1/2"	29 1/2"	6	2 1/2"
DIV2	31 1/2"	23 5/8"	22 1/2"	29 1/2"	6	2 1/2"
DIV3	47 1/4"	19 5/8"	18 1/2"	41 3/8"	8	4 7/16"
DIV4	47 1/4"	23 5/8"	22 1/2"	41 3/8"	8	4 7/16"
DIV5	59 1/16"	19 5/8"	18 1/2"	53 1/8"	10	4 15/32"



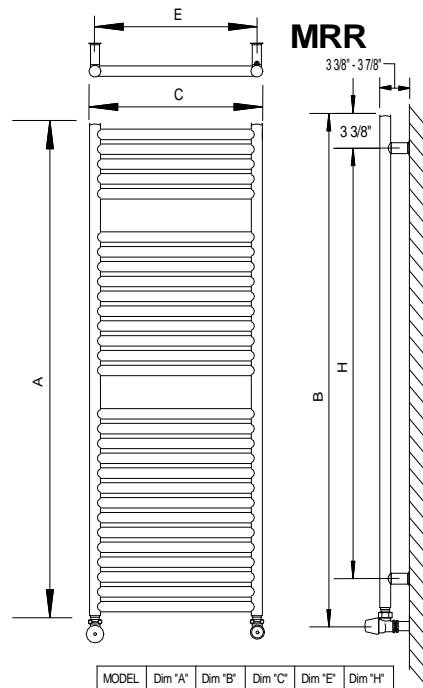
TYPICAL



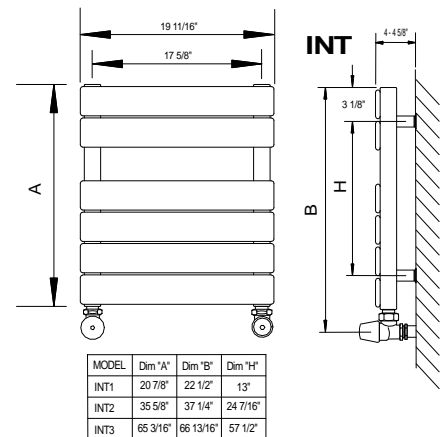
MODEL	Dim "A"	Dim "B"	Dim "C"	Dim "D"	# of BARS	Dim "E"
ELE1	29 1/2"	19 1/8"	17 5/8"	24 1/2"	14	4"
ELE2	29 1/2"	23 5/8"	19 5/8"	24 1/2"	14	4"
ELE3	47 1/4"	19 1/8"	17 5/8"	39 1/16"	22	4"
ELE4	47 1/4"	23 5/8"	19 5/8"	39 1/16"	22	4"



MODEL	Dim "A"	Dim "B"	Dim "C"	Dim "E"	Dim "H"
CMR1	28 3/4"	30 3/8"	19 5/16"	17 3/16"	22 7/16"
CMR2	28 3/4"	30 3/8"	23 1/4"	21 1/8"	22 7/16"
CMR3	28 3/4"	30 3/8"	29 1/8"	27"	22 7/16"
CMR4	47 1/4"	48 7/8"	19 5/16"	17 3/16"	40 15/16"

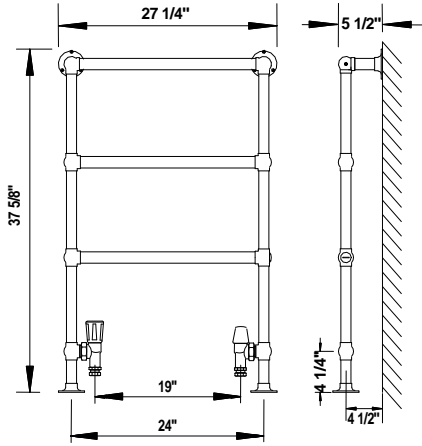


MODEL	Dim "A"	Dim "B"	Dim "C"	Dim "E"	Dim "H"
MRR1	30 9/16"	32 3/16"	19 11/16"	18 7/16"	24"
MRR2	30 9/16"	32 3/16"	23 5/8"	22 3/8"	24"
MRR3	30 9/16"	32 3/16"	29 1/2"	28 1/4"	24"
MRR4	47 1/2"	49 1/8"	19 11/16"	18 7/16"	40 15/16"

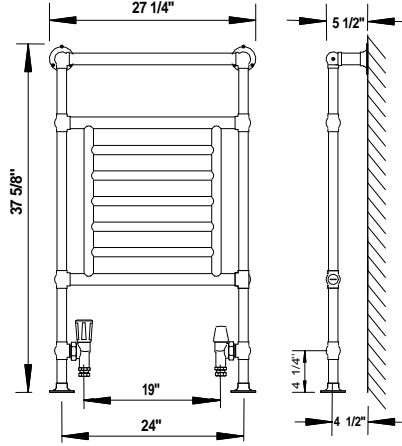


MODEL	Dim "A"	Dim "B"	Dim "H"
INT1	20 7/8"	22 1/2"	13"
INT2	35 5/8"	37 1/4"	24 7/16"
INT3	65 3/16"	66 13/16"	57 1/2"

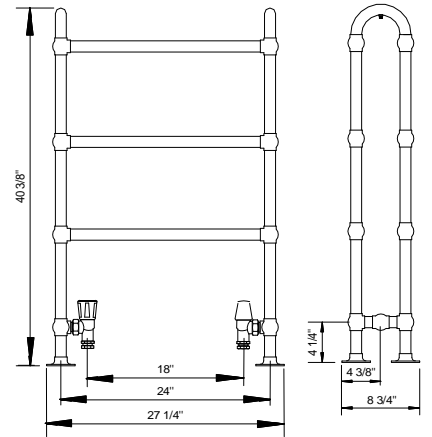
B24-1



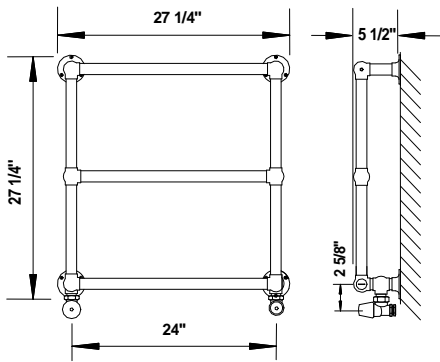
B27-1



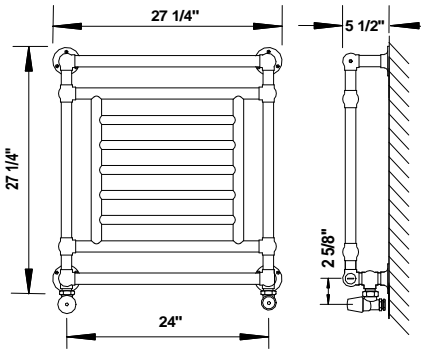
B30



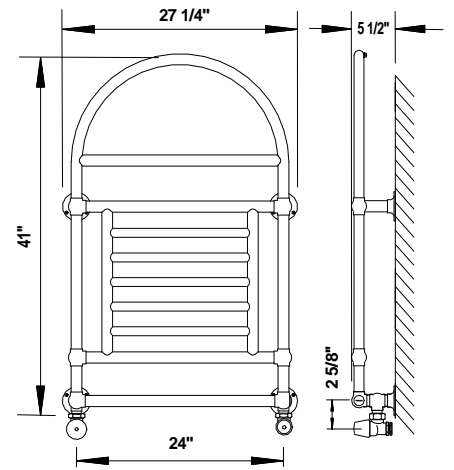
B34-1



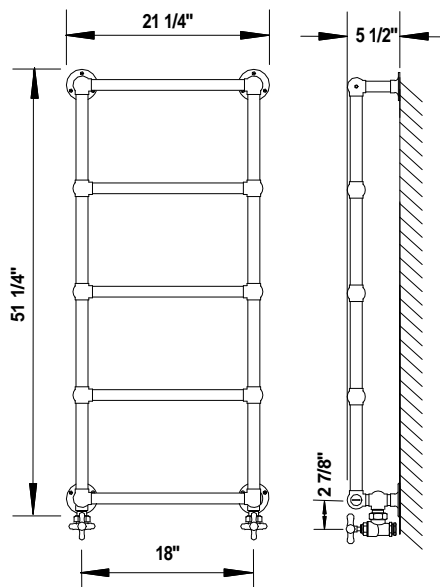
B31-1



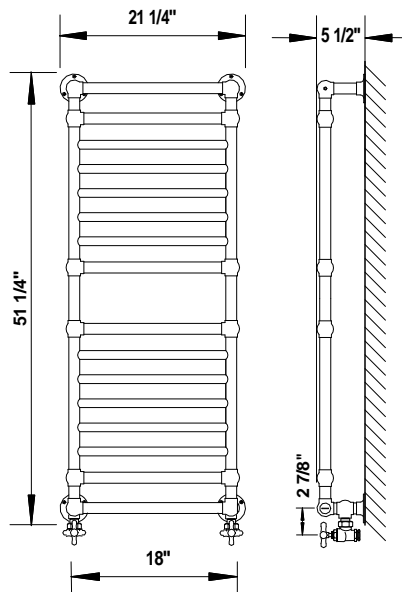
B29



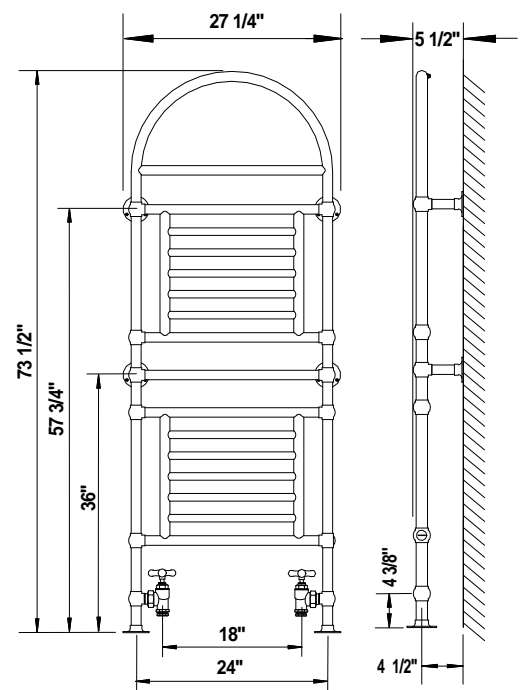
B35-1

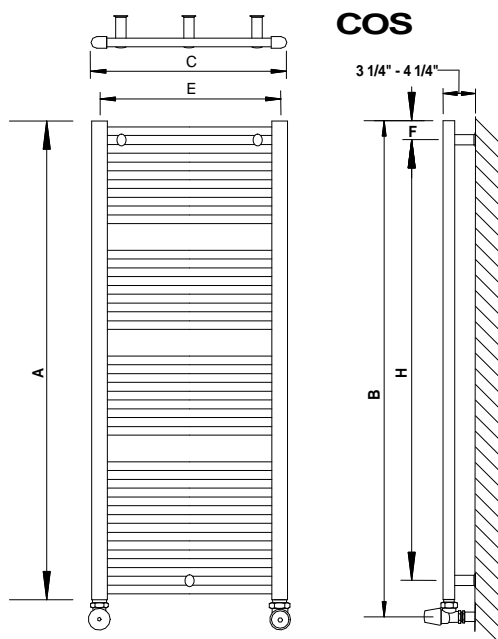


B36-1



B49



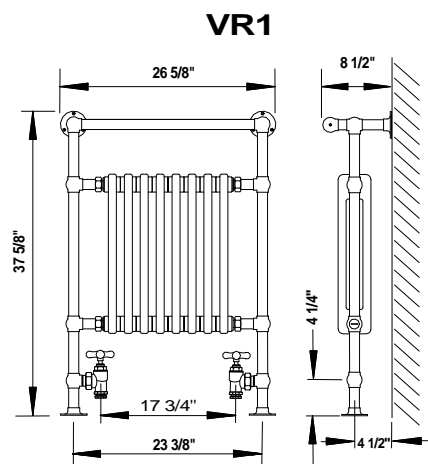
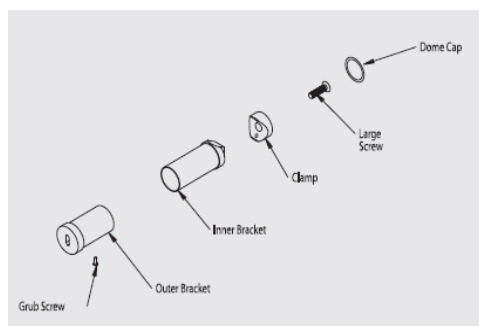


MODEL	Dim "A"	Dim "B"	Dim "C"	Dim "E"	Dim "F"	Dim "H"
COS85	33 15/16"	35 9/16"	19 11/16"	17 15/16"	3 11/16"	26 9/16"
COS86	33 15/16"	35 9/16"	23 5/8"	21 7/8"	3 11/16"	26 9/16"
COS125	48 1/8"	49 3/4"	19 11/16"	17 15/16"	7 1/4"	33 11/16"
COS126	48 1/8"	49 3/4"	23 5/8"	21 7/8"	7 1/4"	33 11/16"

NOTE: Dimensions "F" and "H" may vary depending on the positioning of the mounting brackets.

Mounting for COS

- *Secure inner bracket to rail in the 3 positions shown in the above drawing using clamp and screw. (These positions are suggested for optimum mounting.)
- *Place the product in the desired location and mark the position of the inner fixing brackets.
- *Drill holes such that the inner brackets line up with the location of the outer brackets.
- *Fix inner brackets firmly to the wall.
- *Slide outer brackets onto inner brackets and lock with grub screw. **DO NOT FORCE** - adjust wall bracket position to ensure smooth fitting if necessary.

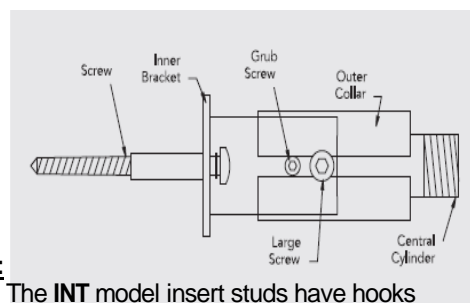


Mounting for B24, B27, B29, B30, B31, B34, B35, B36, B49, VR1 (Flange mounted products).

- *Place product in the desired location and mark the position of the fixing holes.
- *Drill holes according to choice of fixing. (eg wall blocking, anchors, etc.)
- *Fix the product firmly to the wall/floor.
- *Use all fixing holes to secure the bracket.

Mounting for CMR, MRR, INT, DIV, TRU, ELE

- *Place the product in the desired location and mark the position of the fixing brackets.
- *Drill holes such that the brackets line up with the fixing lugs. (Central Cylinder)
- *Loosen grub screw and the large screw on the bracket with the key provided, and remove the central cylinder. Fix the brackets firmly to the wall. (Reinforce or block wall as required)
- *Screw the central cylinders firmly into the fixing bosses on the back of the towel warmer, and then slide smoothly into the wall brackets. **DO NOT FORCE** - adjust wall bracket position to ensure smooth fitting.
- *Tighten grub screw and large screw.

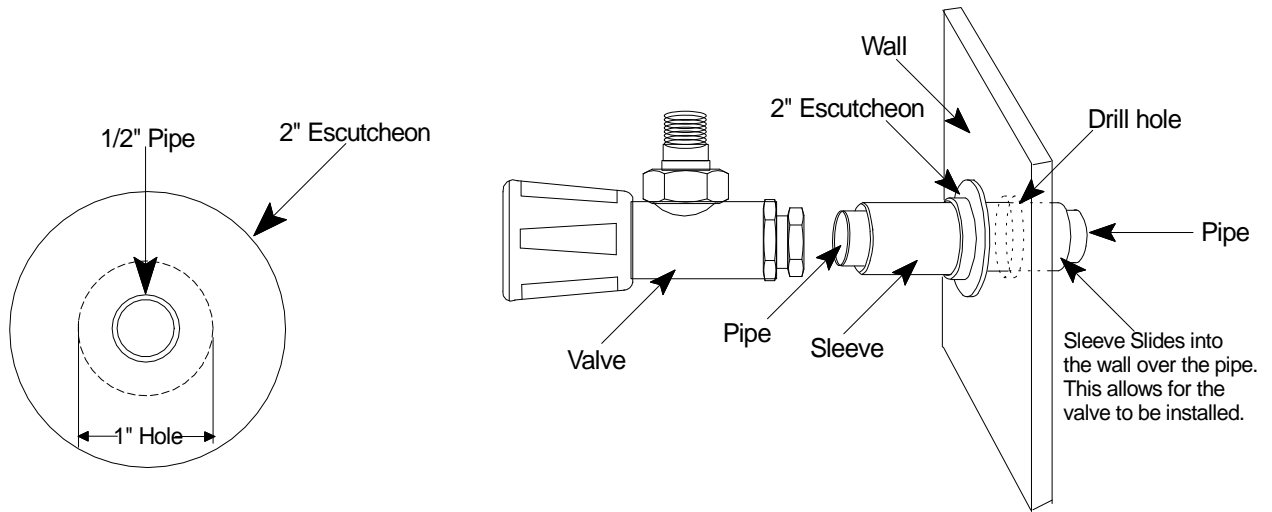


NOTES:

1. The INT model insert studs have hooks that interface with the welded brackets on the towel warmer.
2. The DIV, TRU, & ELE mounting is similar but has a single piece bracket and fixed central cylinders.

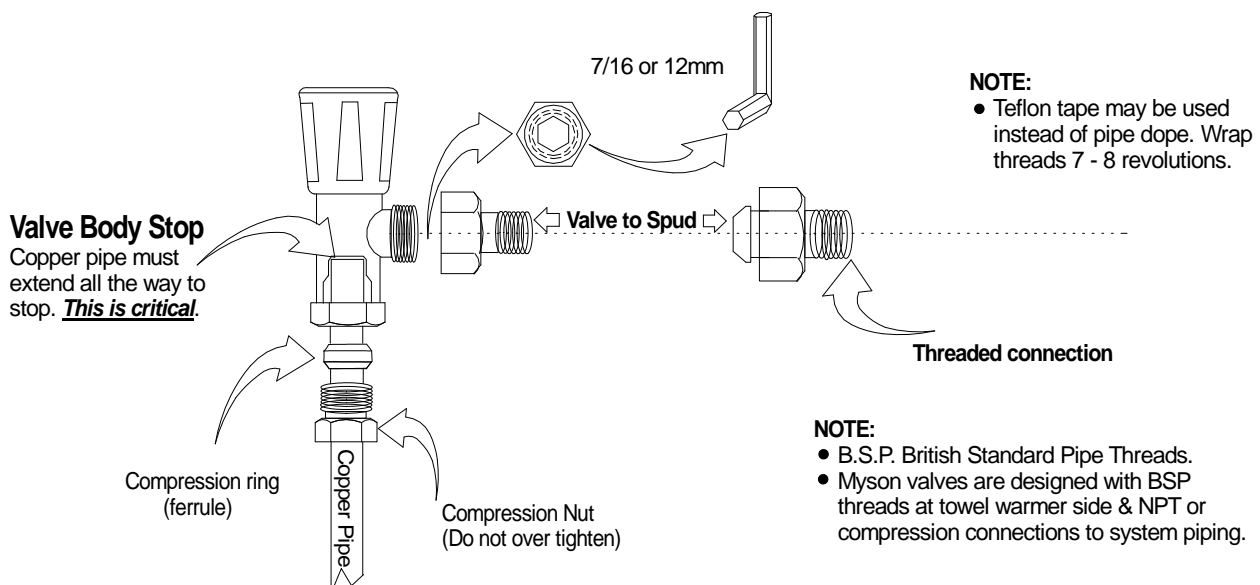
CAUTION! These products must be securely mounted to the wall/floor. When possible they should be attached to adequate blocking or framing. For mounting directly to sheetrock, where blocking or framing is not available, it is the responsibility of the installer to use appropriate wall anchors to ensure a safe and secure installation.

Valve & Sleeve Kit Installation

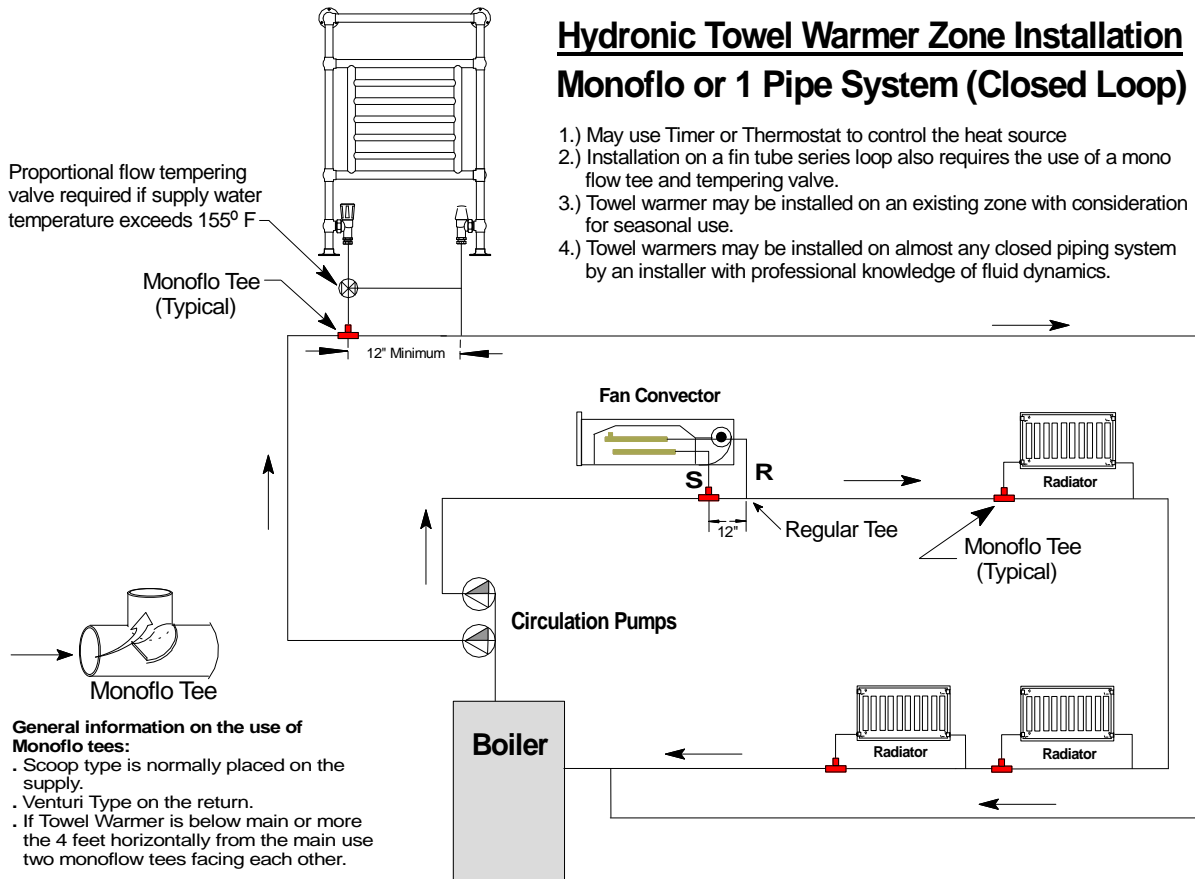


NOTE: MYSON products have **BSP** male and female threads. BSP threads are a **straight running thread NOT tapered like NPT**. Myson towel warmer valves are designed with BSP threads at towel warmer side & NPT or compression connections to system piping.

1. Clean all threaded surfaces, both external & internal.
2. Apply teflon tape or pipe dope to the male threads, leaving the first thread exposed. If using pipe dope, also apply to the female threads of the towel warmer. Common practice to seal BSP threads is to use heavy duty teflon tape, such as to seal gas pipe fittings, or anaerobic pipe dope. Follow pipe dope manufacturers application instructions.
3. Using accepted trade practices assemble and wrench tighten fittings until proper alignment is obtained. Do not over tighten.

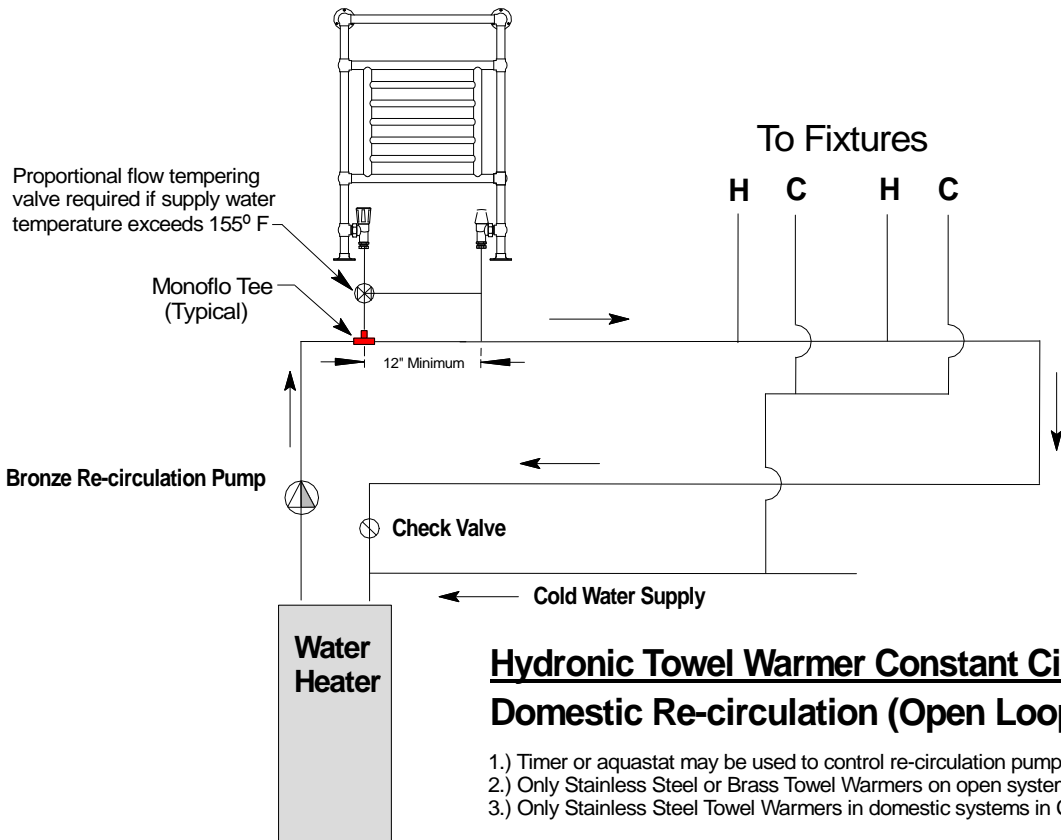


Hydronic Towel Warmer Zone Installation Monoflo or 1 Pipe System (Closed Loop)



NOTES:

- 1.) Myson Towel Warmers are not for use on steam systems.
- 2.) When using a point of use water heater to create a closed loop system you must include an expansion tank.
- 3.) Recommended entering water temperature: 125° F - 155° F



Hydronic Towel Warmer Constant Circulation Domestic Re-circulation (Open Loop)

- 1.) Timer or aquastat may be used to control re-circulation pump
- 2.) Only Stainless Steel or Brass Towel Warmers on open systems
- 3.) Only Stainless Steel Towel Warmers in domestic systems in CA & VT

Myson, Inc. Limited Warranty

Myson, Inc warrants the following products against defects in material and workmanship to the original owner for the duration listed from date of installation or three months after date of shipment, whichever comes first.

The remedy in all cases shall be to repair or replace the product at Myson's discretion upon verification of a factory defect. If replacement is required and an exact replacement product is no longer, Myson reserves the right to furnish a similar product of equal value.

NO REMOVAL, SHIPPING, OR INSTALLATION EXPENSES ARE REIMBURSIBLE.

The original purchaser is responsible for determining the suitability of the Myson product for their installation. Installation and troubleshooting should be performed by a competent technician with knowledge of hydronic heating and/or basic electricity.

Damages occurring during shipment, transit, storage or handling, abuse, neglect, accident, misapplication, incorrect power voltage, improper water source or connection, fire, flood or other Acts of God are not covered. Freight damage claims MUST be made within 10 days of receipt from Myson. No Exceptions.

Towel Warmers

GEM SERIES	2 Years	CLASSIC COMFORT, DESIGNER, & EUROPEAN
		TRADITION SERIES (All) 5 Years

What is covered:

- Plated or painted finishes will not crack, peel or flake from the surface or the rails.
- Brazed or welded connections and the tubing will be free of leaks when installed according to Myson's instructions.
- Heating elements and element seals.

What is not covered:

- Damage to the finish from aerosol propellants, use of abrasive cleaners or pads, or use of chlorine based cleaners.
- Damage due to misapplication of product, oxygen corrosion to steel towel warmers, adverse effects of water quality or additives placed in the system.
- Any malfunction, defect or failure caused by or resulting from unauthorized service or parts.

Valves

The duration of warranty for valves and accessories is 1 Year.

45 Krupp Dr. PO Box 1460
Williston, VT 05495
T: (802) 654-7500 F: (802) 654-7022
www.mysoncomfort.com