



## ELECTRIC ZONE VALVE ACTUATOR VM Series



### Description

Designed for use with the Macon NT Series Valves, the VM series electric zone valve actuator is a new concept in zone controls. Utilizing a gearless electric thermic operator, this valve actuator operates off low power 24VAC/DC. Proportional control can be realized by using time proportioning techniques. The VM series is ideal for control of Radiators, Fin-Tube, Zones, Solar Panels, Heat Pumps etc...

### Features

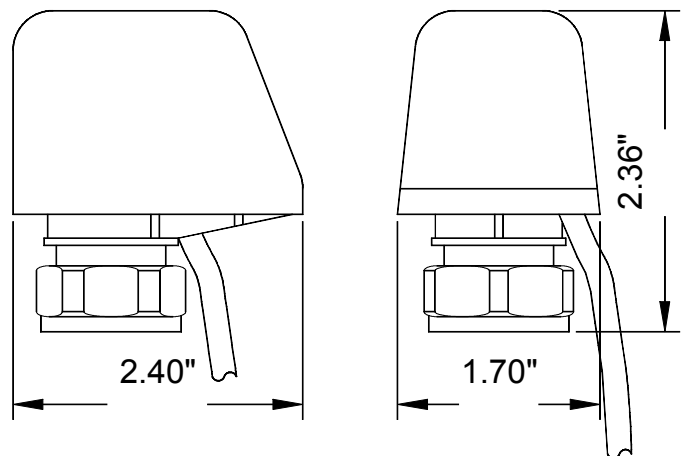
- Normally open or normally closed
- Suitable for low pressure steam
- Low power consumption
- Noiseless operation
- Easy installation
- Compact size
- Low cost

### Specifications

Data	VMO 24	VMC 24
Voltage	24VAC/DC	24VAC/DC
Current, initial	200mA	200mA
Current consump.	70mA/2W	70mA/2W
Closing and opening time	ca 3 minutes	ca 3 minutes
Stroke	ca 4 mm	ca 4 mm
Max amb. temp.	122 F	122 F

### Design

Body	plastic	plastic
Nut	brass	brass
Weight	2.8 oz.	2.8 oz
Conn. cable	2x0,22 white	2x0,22 white
	3 feet	3 feet
No current	open	closed



**VMO 24 - Normally Open**  
**VMC 24 - Normally Closed**