

General

Provide MYSON VR1 EUROPEAN TRADITION hydronic towel warmer including accessories as scheduled. European Tradition towel warmers are made of 1-1/4" brass tube and fittings in a variety of finishes. **The VR1 hydronic towel warmer is approved for installation on closed loop hydronic hot water systems only.**

Each VR1 towel warmer is constructed with integral 3-1/4" diameter wall and floor mounting flanges that are welded onto the back and bottom. The towel warmers are equipped with a manual air vent. Every unit is factory filled, tested and inspected to insure the finest quality product.

Available Finishes:

Polished Chrome, Polished Nickel, Satin Nickel, Regal Brass, Oil-Rubbed Bronze, White

Standard Connections:

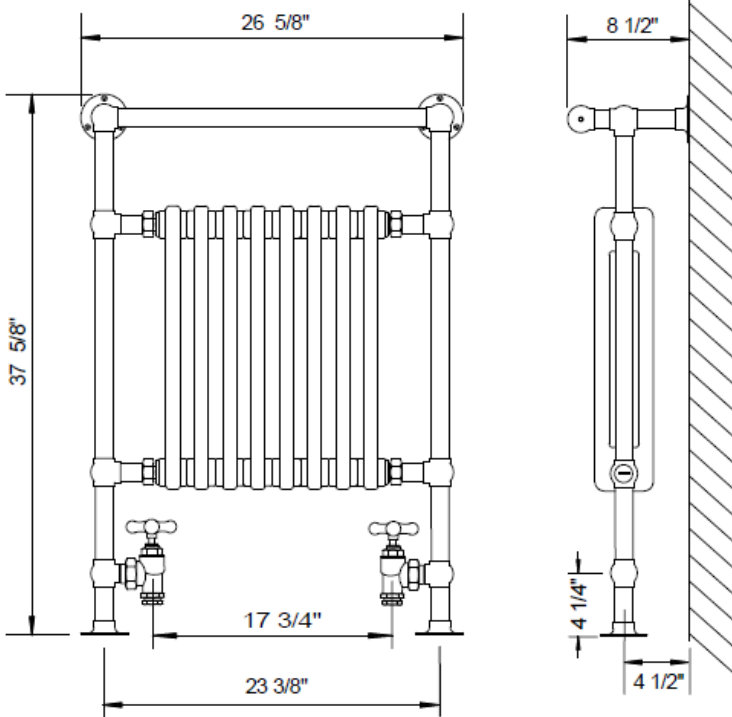
2 x internal thread G 1/2" BSP

Maximum positive operating pressure: 77psi

Maximum operating temperature: 230° F

Heat Output: 2520 BTUH @ 155° F
Entering Water Temperature

Weight
50 lbs.




NOTE: Valve rough-in centers may vary from 18 1/2" - 19" depending on valve spud insertion depth.



- 

Standard Valve Set - STDVKIT The set includes one (1) FF16WAC adjustable and (1) FF16LAC non-adjustable 1/2" valve. Available only with chrome angle body and white handles
- 

Modern Valve Set - V16A "Angle" or V16S "Straight" pattern. Straight valves are normally used when the pipes come from the floor instead of the wall. Available in matching finishes.
- 

Cross Handle Valve Set - CHV16 The set includes two (2) Cross Handle valves. The Cross Handle valves are only available in an angle pattern and are available in matching finishes.
- 

Sleeve Kit - SK16 The set includes two (2) .656" I.D. x 3" brass sleeves and two (2) 2" diameter brass escutcheons. Available in matching finishes.

Optional valves and sleeve kits are recommended and available from MYSON.



Warranty
MYSON European Tradition Towel Warmers are covered by a 10 year warranty.

Quality certificates



PROJECT NAME:
ARCHITECT:
ENGINEER:
SUBMITTED DATE:

APPROVED DATE:

APPROVED

